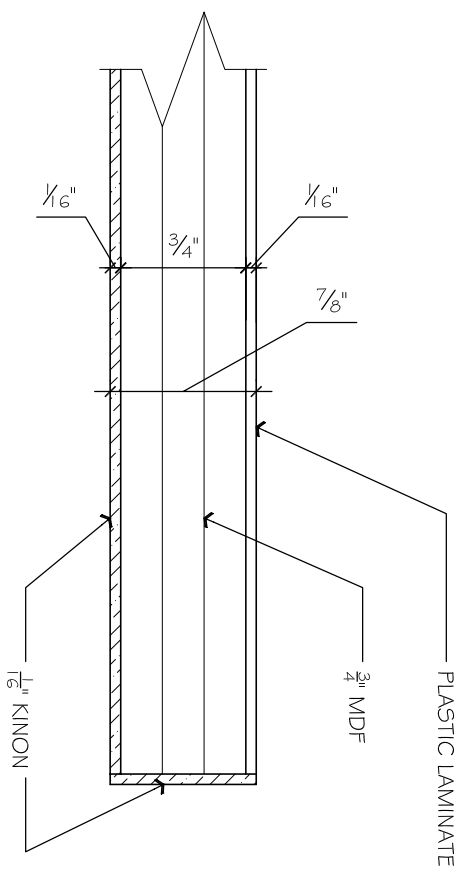


1 TYPICAL ELEVATION @ CABINET DOOR & DRAWER  
SCALE: 3" = 1'-0"



2 SECTION  
SCALE: 1/2" = 1'-0"

**KINON**  
 INNOVATIVE SURFACE DESIGNS  
 PO BOX 776  
 HILLSIDE, NJ 07205  
 T: 908-558-0011  
 F: 908-558-9366