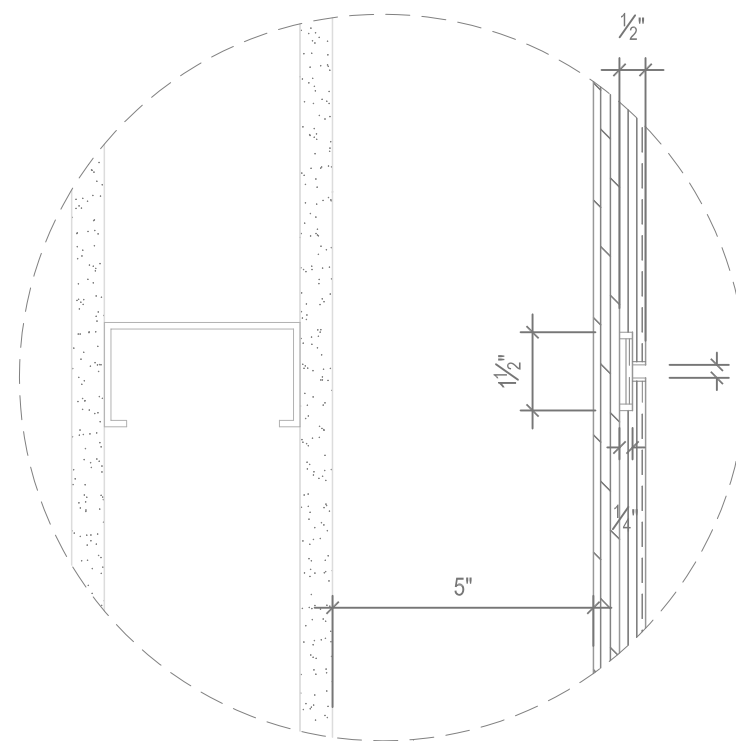
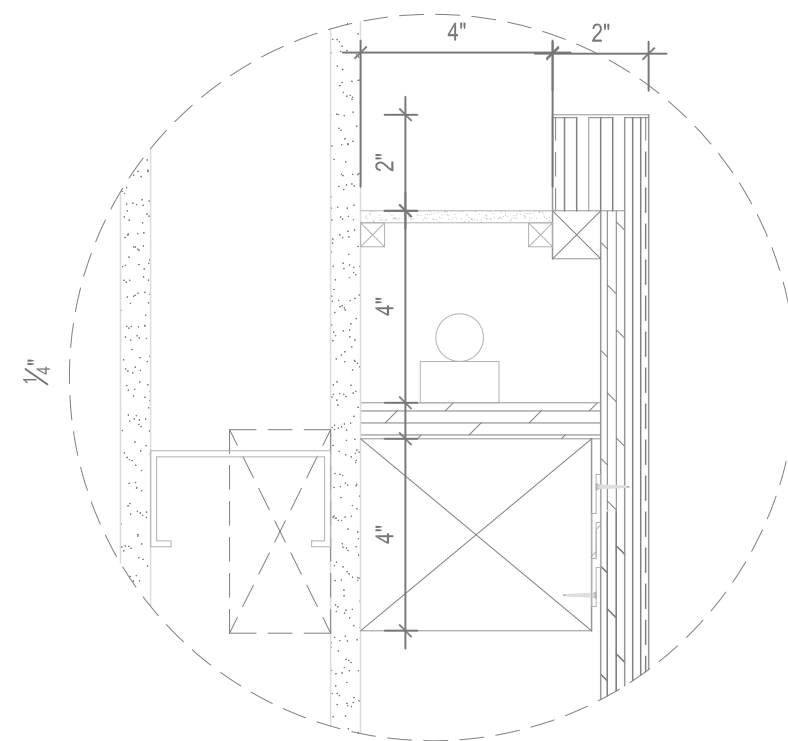


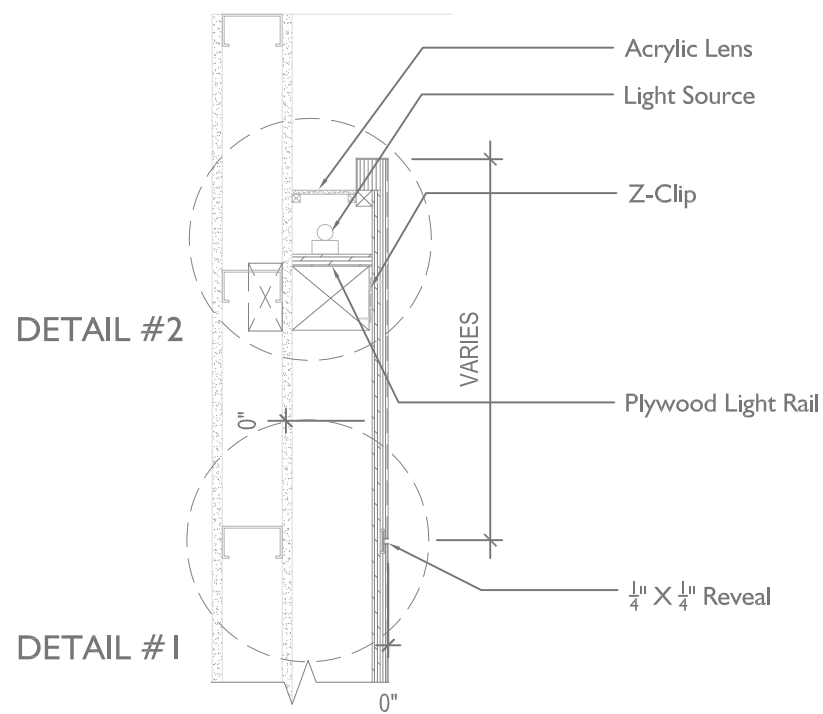
1 VERTICAL SECTION
 025 SCALE: 1" = 1.0"



DETAIL #1



DETAIL #2



2 VERTICAL SECTION DETAILS
 025 SCALE: 1" = 1.0"

DRAWING TITLE	DWG NO.
WALL PANEL - ACCENT LIGHT DETAIL	025
KINON INNOVATIVE SURFACE DESIGNS	
PO BOX 776, 1227 CENTRAL AVENUE HILLSIDE NEW JERSEY 07205 U.S.A TEL: 908.558.0011 FAX: 908.558.9366 INFO@KINON.COM WWW.KINON.COM	